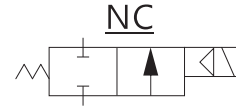
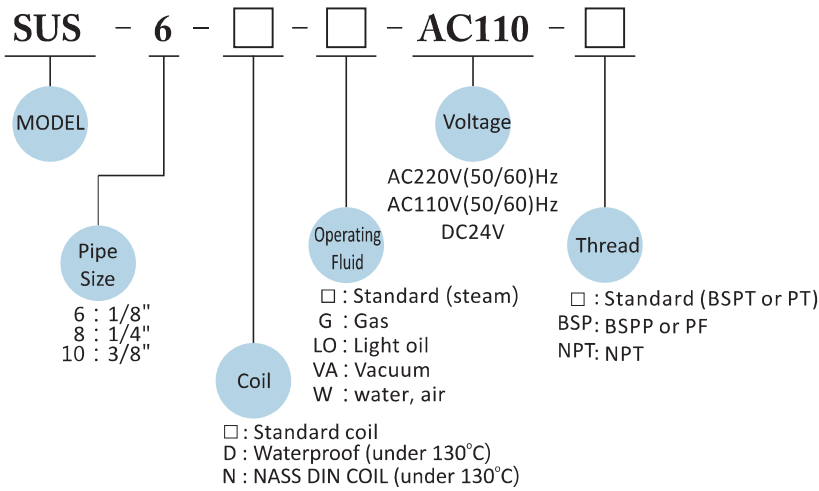


SUS-6~10

UD Series



PRODUCT DESCRIPTION

- SUS series is direct-acting, conductive, and normally closed (NC) 2/2 way solenoid valve.
- Able to operate under no differential pressure
- Applied fluid type : water, air, steam, light oil, gas, vacuum
- Acceptable for customization Viton (130°C) , Silicone (130°C) and EPDM (130°C) for seal plug.

CAUTIONS:

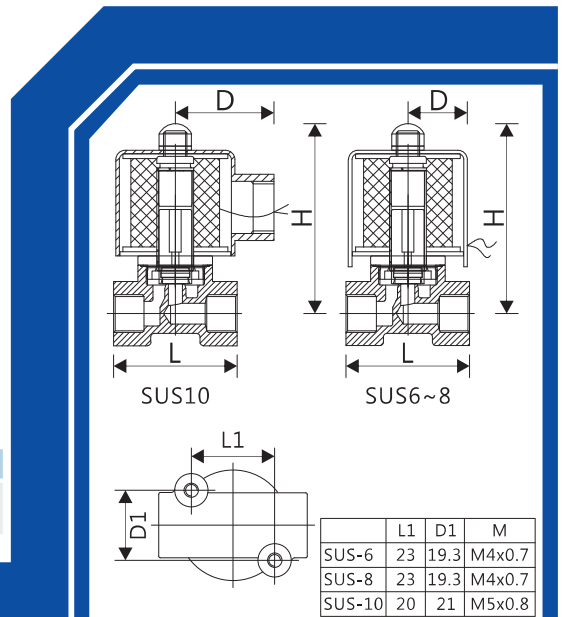
- Before pipelining, the pipe line must be very clean without any contaminants or impurity.
- To extend the lifetime, Y-line filter should be installed in the front end of solenoid valve.
- The temperature of steam should not over 185°C
- AC voltage tolerance: ± 10%; DC voltage tolerance: ± 1%
- It should be installed horizontally; vertical installation is not advisable.

Not Suitable For Fluid As Below:

- Liquid status when it is in high temperature; solid status when it is in low temperature.
- Corrosive fluid
- Viscosity over 50cst

MATERIAL:

PARTS	Coil	Tube	Spring	Core	Plug	O-ring	Valve body
MATERIAL	Special copper wire (H class)	Stainless steel	Stainless steel	Stainless steel	PTFE(standard) NBR	PTFE(standard) NBR	Stainless steel



SPECIFICATION

MODEL	Waterproof DIN/flying lead Coil	NASS DIN Coil (IP65)	PIPE SIZE	CV	ORIFICE	FLUID TEMP. (°C)	Operating Pressure kgf / cm ² (bar)					Vacuum (Torr)	Dimension (mm)			Weight (kg)
							Water	Air	Steam	Light oil	Gas		L	H	D	
SUS-6	●		1/8"	0.23	2.5mm	-5°C ~ +185°C	0~7	0~7	0~7	0~7			41	68	21.5	0.34
SUS-8	●		1/4"	0.23	2.5mm	-5°C ~ +185°C	0~7	0~7	0~7	0~7			41	68	21.5	0.33
SUS-10	●	●	3/8"	0.58	4mm	-5°C ~ +185°C	0~10	0~10	0~10	0~10			53	83	48	0.54

● Plug Material: PTFE

SUS-6	●		1/8"	0.23	2.5mm	-5°C ~ +80°C	0~7	0~7			0~7	0~10 ⁻³	41	68	21.5	0.34
SUS-8	●		1/4"	0.23	2.5mm	-5°C ~ +80°C	0~7	0~7			0~7	0~10 ⁻³	41	68	21.5	0.33
SUS-10	●	●	3/8"	0.58	4mm	-5°C ~ +80°C	0~10	0~10			0~10	0~10 ⁻³	53	83	48	0.54

● Plug Material: NBR